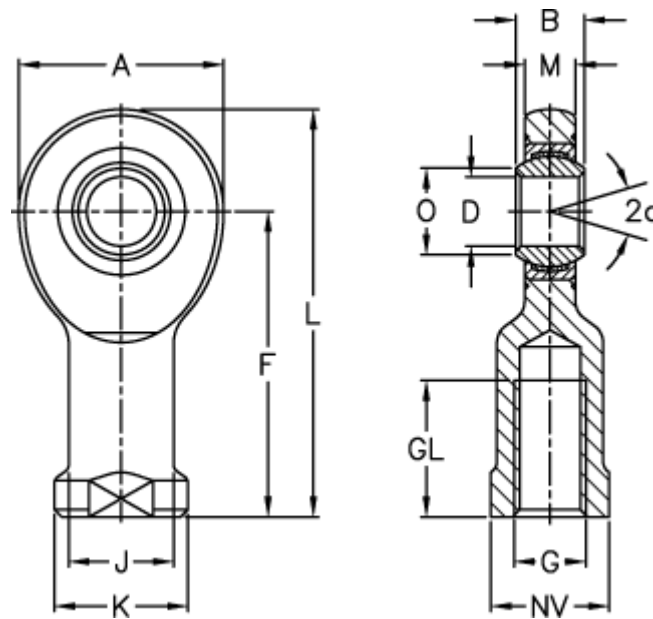


Article number: 03468015  
 Description: Fluro Rod end EI 15D-NIRO  
 Note: 15

## Measures



A	= 40	J	= 21
a (degrees)	= 8	K	= 26
B	= 12	L	= 81
D	= 15	M	= 10
Dynamic drive (kN)	= 30	NV	= 22
F	= 61	O	= 18.4
g	= M14	Static drive kN	= 26.5
GL	= 29	Weight	= 180